

The information in this document is subject to change without notice and should not be construed as a commitment by ABB. ABB assumes no responsibility for any errors that may appear in this document.

Except as may be expressly stated anywhere in this document, nothing herein shall be construed as any kind of guarantee or warranty by ABB for losses, damages to persons or property, fitness for a specific purpose or the like.

In no event shall ABB be liable for incidental or consequential damages arising from use of this document.

This document and parts thereof must not be reproduced or copied without ABB's written permission, and contents thereof must not be imparted to a third party nor be used for any unauthorized purpose. Contravention will be prosecuted.

Additional copies of this document may be obtained from ABB at its then current charge.

© Copyright 2004 ABB ALL right reserved.

ABB Automation Technologies AB
Robotics
SE-721 68 Västerås
Sweden

Latest revision:

Prepared by, date: Approved by, date:



Lab/Office:
PAW

SMB 1 AXIS
ABB COPYRIGHT

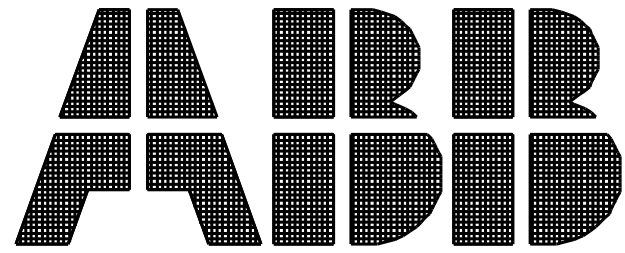
Status:
Approved

Plant: =
Location: +
Sublocation: +

Document no.
3HEA801152-002

Rev. Ind
02

Page 1
Next 2
Total 6



Description : SMB 1 AXIS
 Drawing number : 3HEA801152-002
 Drawing version : 02
 Date : 2009-02-17

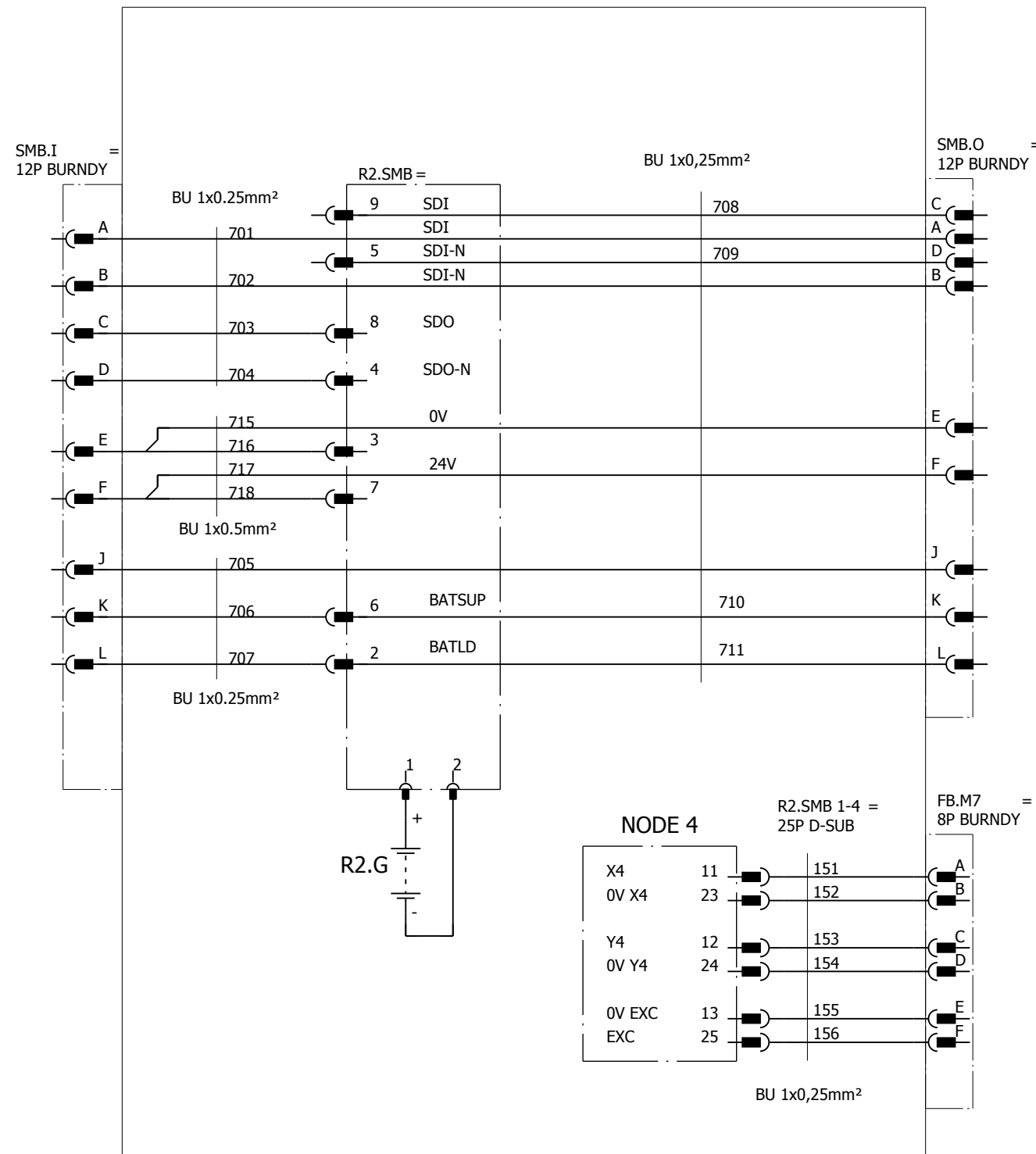
Customer :
 Year of construction : 2009
 :
 :
 :
 :
 :
 :

Drawn by : PAW/JS
 Number of pages : 6
 :
 :
 :
 :

Latest revision:			Lab/Office: PAW	SMB 1 AXIS	Status:	Plant: =	Rev. Ind	Page 2
					TITLE PAGE	Approved		
Prepared by, date:	Approved by, date:				Document no.	Sublocation:+	02	Total 6
					3HEA801152-002			

We reserve all rights in this document and in the information contained therein. Reproduction, use or disclosure to third parties without express authority is strictly forbidden. © Copyright 2003 ABB

SERIAL MEASUREMENT UNIT



We reserve all rights in this document and in the information contained therein. Reproduction, use or disclosure to third parties without express authority is strictly forbidden. © Copyright 2003 ABB

Latest revision:
Rev. 02:Wire type changed(3-5)

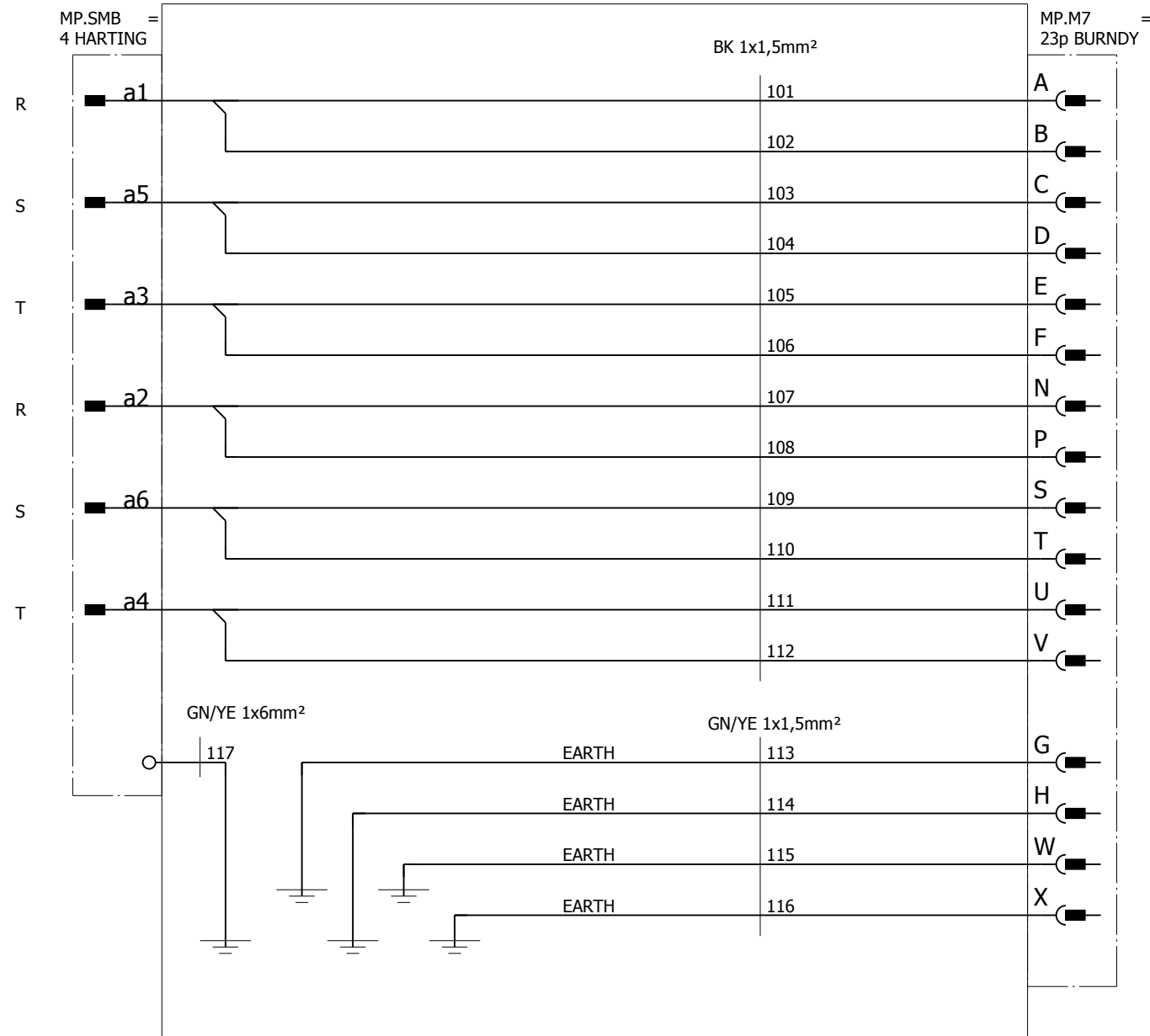
Prepared by, date: _____ Approved by, date: _____

ABB Lab/Office:
PAW

SMB 1 AXIS
SIGNAL & RESOLVER CABLE, M7

Status: Approved	Plant: = Location: + Sublocation: +
Document no. 3HEA801152-002	Rev. Ind 02
	Page 4 Next 5 Total 6

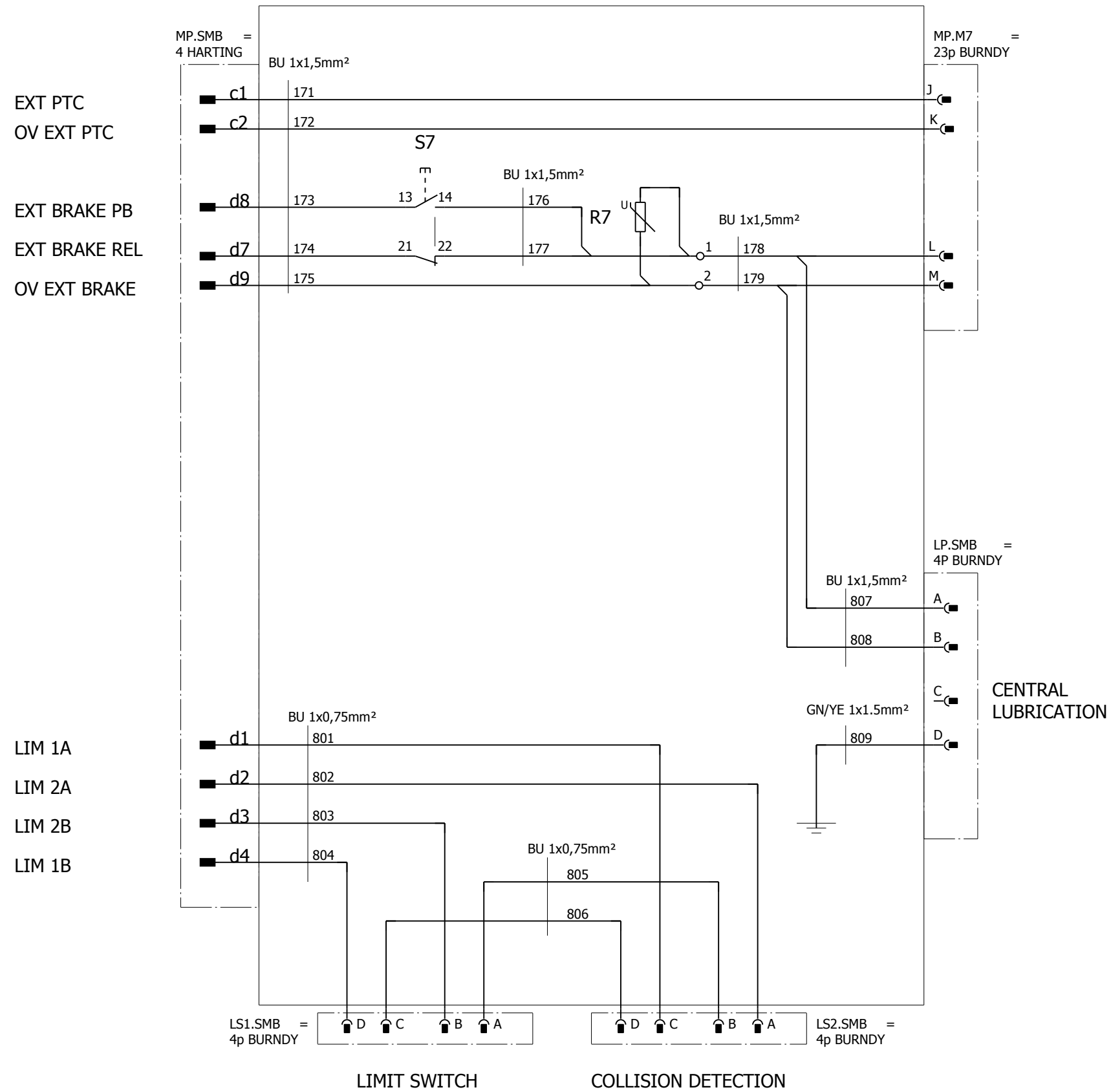
SERIAL MEASUREMENT UNIT



We reserve all rights in this document and in the information contained therein. Reproduction, use or disclosure to third parties without express authority is strictly forbidden. © Copyright 2003 ABB

Latest revision: Rev 02:Wire type changed(3-5)	Prepared by, date:	Approved by, date:		Lab/Office: PAW	SMB 1 AXIS POWER CABLE, M7	Status:	Plant: =
						Approved	Location: +
Document no.						Rev. Ind	Page 5
3HEA801152-002						02	Next 6
							Total 6

SERIAL MEASUREMENT UNIT



We reserve all rights in this document and in the information contained therein. Reproduction, use or disclosure to third parties without express authority is strictly forbidden. © Copyright 2003 ABB

Latest revision:
Rev 02:Wire type changed(3-6)

Prepared by, date: _____ Approved by, date: _____

ABB Lab/Office:
PAW

SMB 1 AXIS
BRAKE, PTC, LURB, LIMIT SW: M7

Status: Approved	Plant: = Location: + Sublocation: +
Document no. 3HEA801152-002	Rev. Ind 02
	Page 6 Next Total 6